

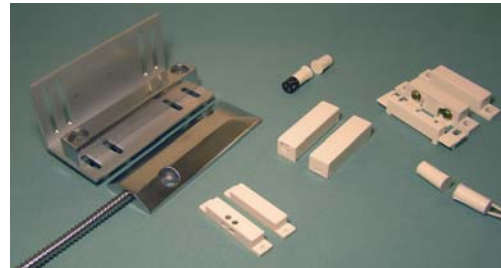
Magnetic contacts

A magnetic contact provides the first-line of defense in intruder detection. The quality of a magnetic contact depends largely on the quality of the reed inside the switch. For ten years, Cynwyd has provided reliable magnetic contacts to the security industry, backed by our lifetime warranty.

Proven reliability

Cynwyd contacts feature only world-class reeds, assembled by a skilled production team and individually factory-tested to ensure faultless performance





- ◆ World-class rhodium-plated reeds
- ◆ UL listed and non-UL listed models
- ◆ High-quality rare earth magnets
- ◆ High-sensitivity reeds provide larger gaps without the need for polarized switches.






Specifications

- ◆ Max switched voltage 30 volts DC/AC(rms)
- ◆ Max switched current DC 0.1A
- ◆ Max power 1.0 Watt
- ◆ Max resistance 100 milliohms

3/8" recessed contacts

	◆ CW-201	Stubby switch, long magnet , 18" wire leads 5/8" gap.
	◆ CW-202 *	Stubby switch and magnet , 18" wire leads 5/8" gap. UL listed. White or Brown.
	◆ CW-20T	Stubby switch and magnet, terminals, 1/2" gap.
	◆ CW-204T	Stubby switch with terminals, round rare earth magnet, 1/2" gap

Surface mount contacts

	◆ CW-260T*	Mini surface mount, terminals, wider 7/8" gap Mounting screws, adhesive tape and terminal screw cover-up tape. White or Brown.
	◆ CW-215T*	Standard surface mount, terminals, with cover and spacer
	◆ CW-244*	Overhead door contact with adjustable L Bracket, 3" wider gap & 22" armored cable

About Cynwyd

Cynwyd markets magnetic contacts and security alarm accessories. For over sixteen years, Cynwyd has imported premium quality, affordably priced magnetic contacts, b-wire connectors, and RJ31X jacks/cords. Several of the Top 10 largest security installers rely on Cynwyd products. Our products are available through select distributors across North America.